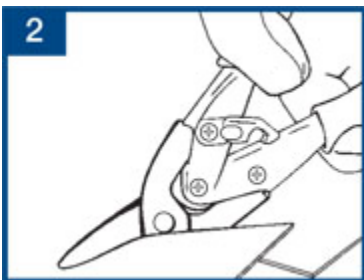


## Installation Instructions

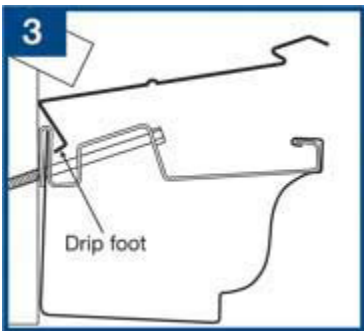
Optional Tools Needed: Ladder, Safety Goggles, Gloves, Tin Snips & Metal Bending Tool



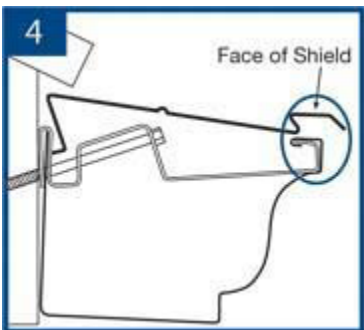
- Ensure gutter system is clean and free of debris
- Inspect gutter hangers, ensuring:
  - tightly fastened to fascia and attached to gutter
  - minimum one hanger every 24 inches



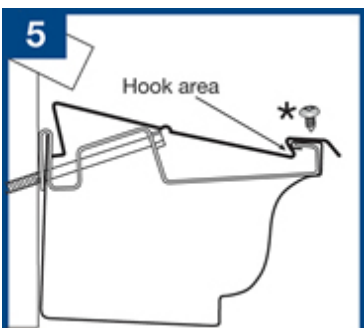
- Install first Diamond Gutter Shield® at beginning of gutter run
- Measure 2 inches from end of Shield
- Cut and remove a notch from front and back edges
- Cut a line 2" long down the center of rib
- Bend remaining 2 inch flap 90 degrees to create an end cap
- See illustrations #6 and 8 for details



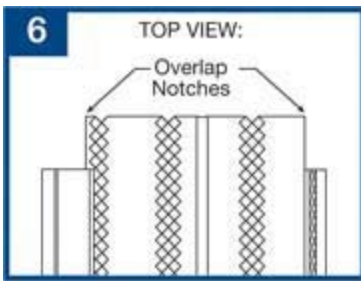
- Insert Drip Foot (back edge) of Shield onto gutter hangers
- Ensure Drip Foot engages fully, sitting snug to back of gutter



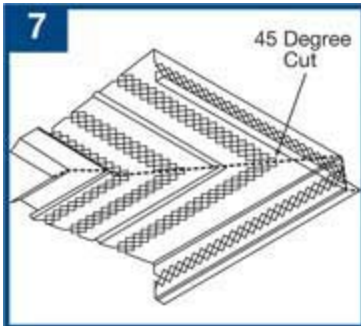
- Lower the face of Shield onto the top of the gutter
- Shield should be approximately 1/4" longer than inside face of gutter
- See circled portion of illustration #4



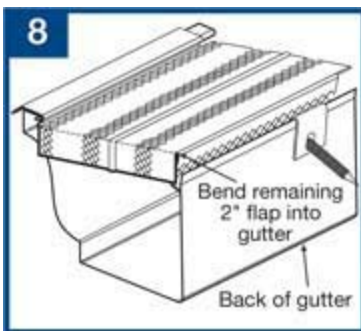
- Flex the Shield slightly inward and engage front edge of Shield inside gutter lip
- The flex will create a snug Pressure Fit with gutter lip
- \*Option for high wind areas - add 1/4" galvanized screw through punched holes



- When installing each additional section, be sure to overlap the notched areas completely with previous section
- Overlapping each Shield section keeps debris out and adds support to the completed Shield system

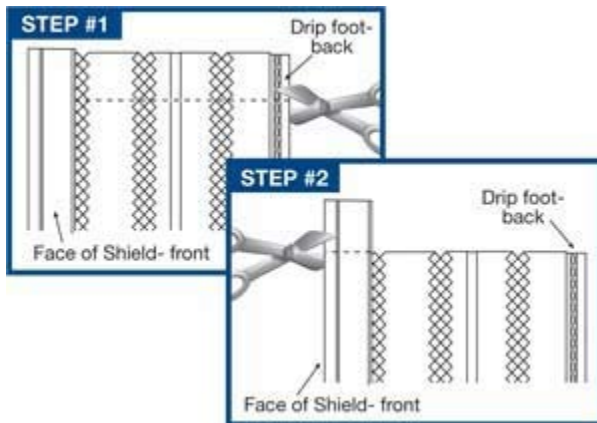


- Gutter system corners require a butted mitre joint
- Measure from back corner of gutter system to ensure correct length
- Cut a 45 degree angle from the Drip Foot (back of Shield) to the Drip Lip (front of Shield), careful not to distort the profile of the Shield



- At the termination end of the Shield system, you will need to cut and remove a 2 inch section of the Shield's face (as in #2)
- Cut a line 2" long down the center of rib as shown. Bend these 2 inch sections downward at a 90 degree angle as shown to overlap and create a cap to the end of the system

### Cutting Instructions



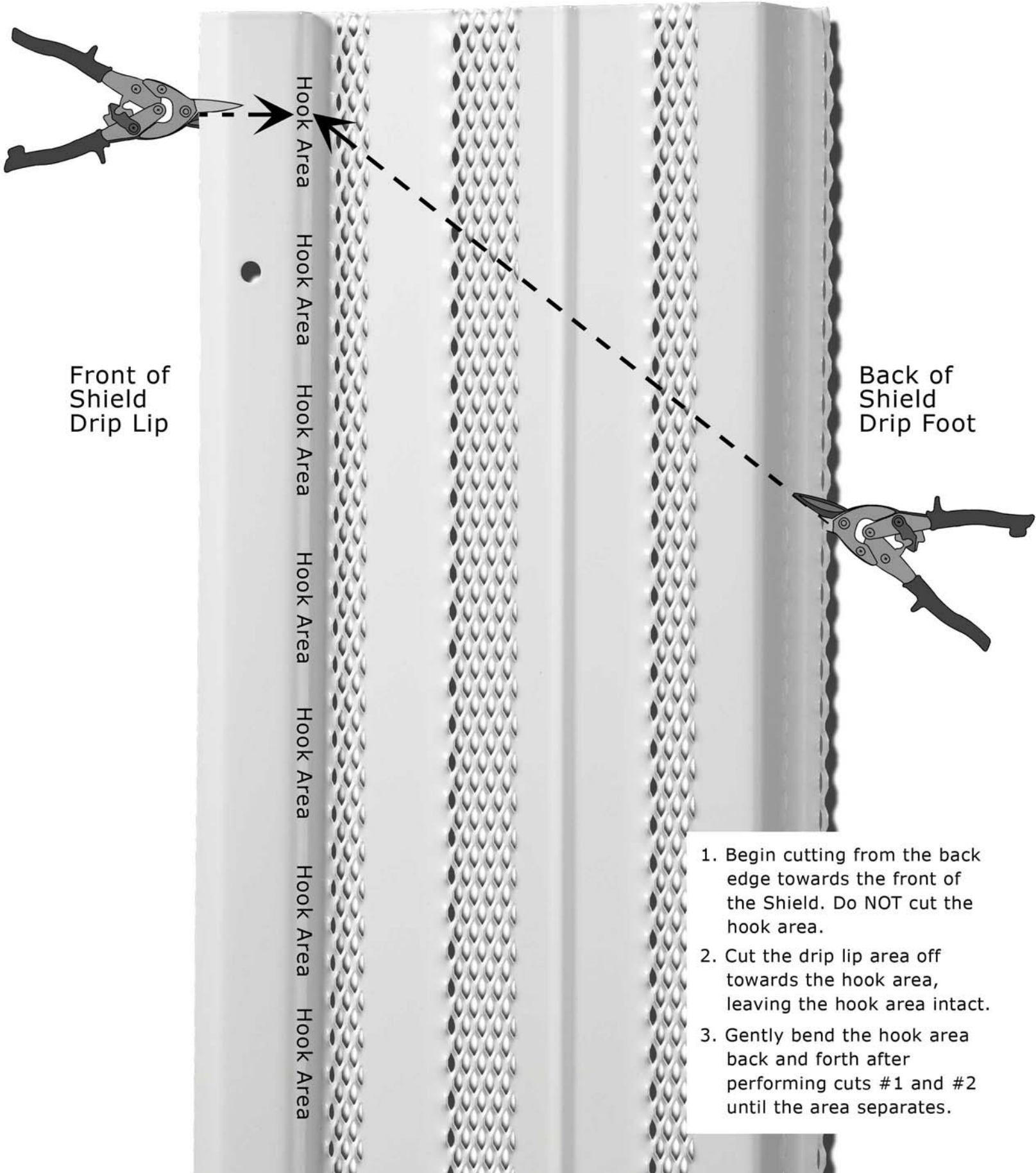
**STEP #1:** When cutting Shield sections, start from Drip Foot (back) and cut towards the hook area. Stop cutting before the hook.

**STEP #2:** Begin second cut on Drip Lip (front edge). Stop cutting when you reach hook area.

**STEP #3:** Hook area is now the only attached portion. Gently bend this portion back and forth until section separates. This method ensures the hook area maintains its profile and proper function.

*\*Areas which fall within 50 miles of the coastline are required to use fasteners attached into the Shield's Drip Lip to engage the top of the gutter (as shown in #5 above). Pressure Fit Technology testing has passed independent testing over 75 MPH, or a Low Velocity Hurricane Rating only.*

## CORNER CUT INSTRUCTIONS



1. Begin cutting from the back edge towards the front of the Shield. Do NOT cut the hook area.
2. Cut the drip lip area off towards the hook area, leaving the hook area intact.
3. Gently bend the hook area back and forth after performing cuts #1 and #2 until the area separates.